

SPECIFICATIONS:

POWER: 500 W AVG. - 2KW PEAK
 - WHEN MOUNTED TO A HEAT SINK

CAPABLE OF MAINTAINING THE
 BASE AT OR BELOW 100°C

FREQUENCY RANGE: DC TO 1GHz

DC TO 1GHz AT 1.15:1 MAX.

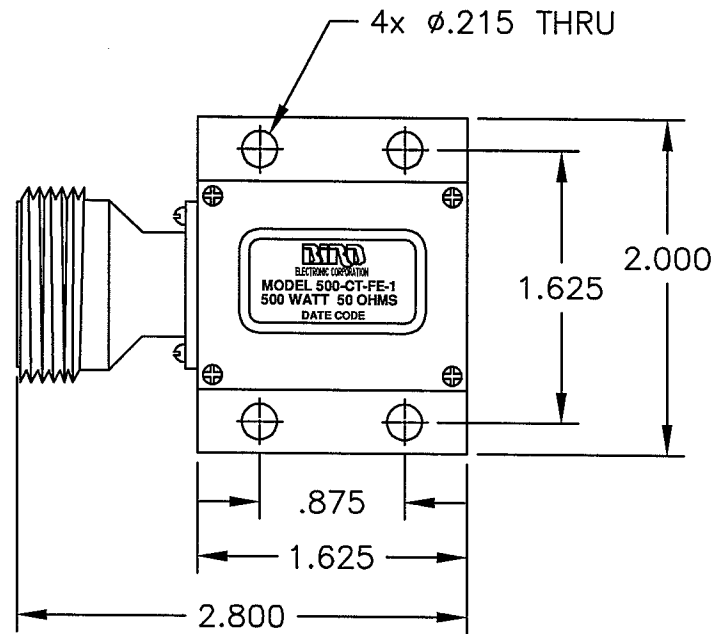
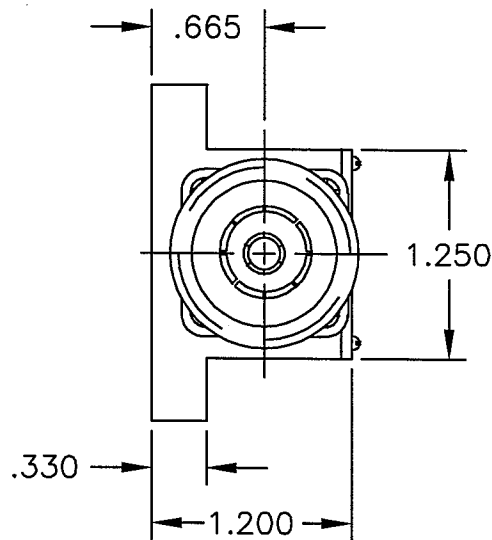
1GHz TO 3GHz AT 1.30:1 MAX.

CONNECTOR: IEC 7/16 FEMALE

FINISH: BODY-SILVER OR TRI-ALLOY PLATED

CONNECTOR - SILVER OR TRI-ALLOY PLATED

REVISIONS		DWG. NO.	500-CT-FE-1	SHEET	REV
ZONE	REV	DESCRIPTION	DATE	APPROVED	
	A	ECN #0286	4-18-02	MRE	



NOTE: THIS UNIT DESIGNED TO PROVIDE CLEARANCE TO THE BASE FOR THE MATING 7/16 EIA CONNECTOR

UNLESS OTHERWISE SPECIFIED DIMENSIONS ARE IN INCHES TOLERANCES ARE:

FRACTIONS	DECIMALS	ANGLES
± 1/64	.XX = ±.010	± 30'
	.XXX = ±.005	

DO NOT SCALE DRAWING

MILLIMETERS

.X = ±.4
 .XX = ±.12

THIS DRAWING IS THE PROPERTY OF THE BIRD ELECTRONIC CORPORATION. THE DESIGNS AND SPECIFICATIONS DISCLOSED HEREON ARE PROPRIETARY AND SHALL NOT BE REPRODUCED, NOR COPIED, NOR USED AS THE BASIS FOR THE MANUFACTURE OR SALE OF APPARATUS OR DEVICES WITHOUT THEIR EXPRESS WRITTEN CONSENT.



BIRD Electronic Corporation
 Cleveland (Solon) Ohio USA

MATERIAL

FINISH

APPROVALS

DATE

TITLE

DRAWN	D.M.RINK	5-30-03
CHECKED		
APPROVED	MRE ✓	6-23-03
		AUTOCAD

TERMINATION IEC 7/16, 500W			
SIZE	FSCM NO.	DWG. NO.	REV
A	70998	500-CT-FE-1	A
SCALE	COMM CODE	SHEET	
1:1	LD1	1 OF 1	